

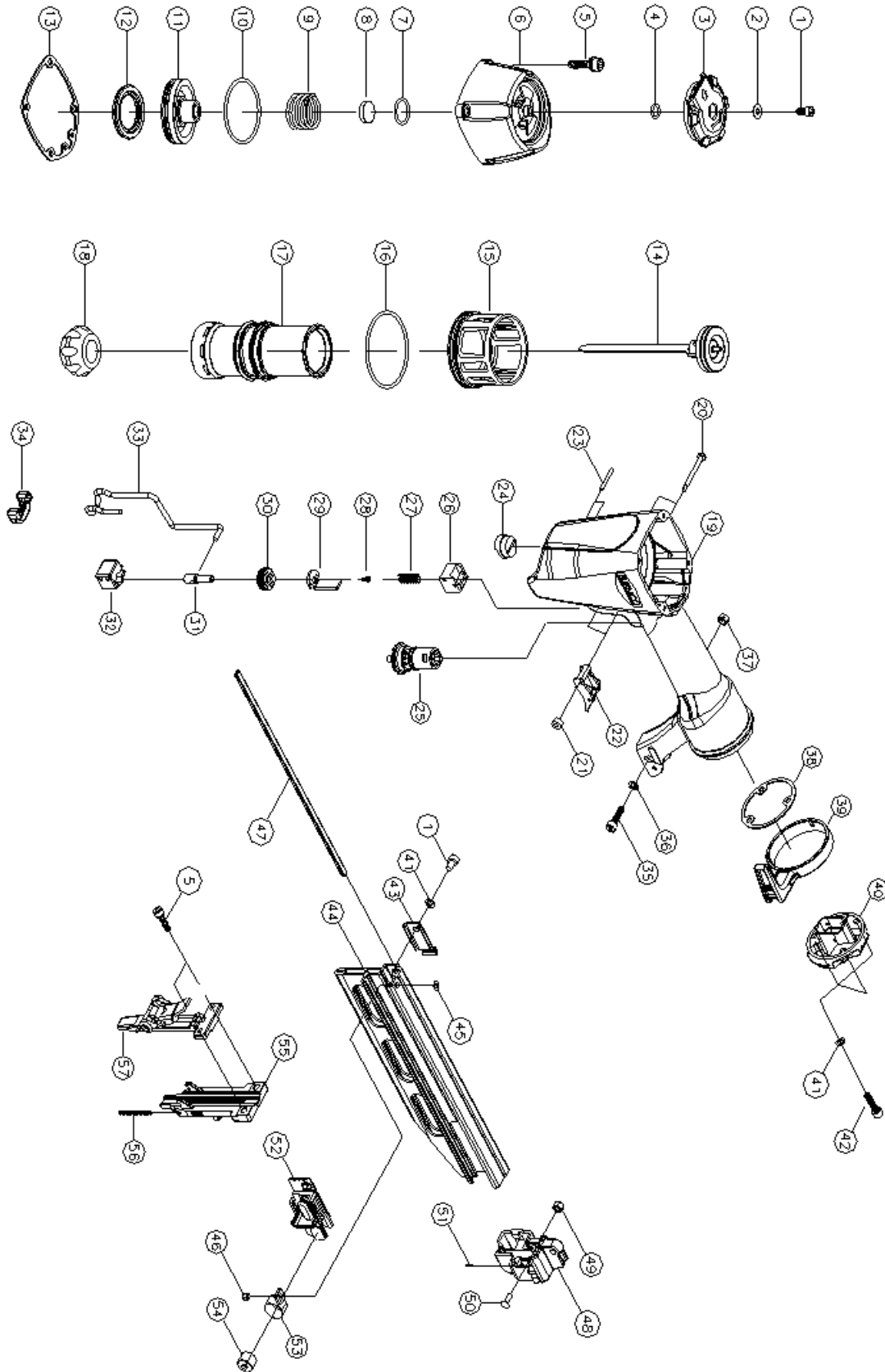
**SENCO®**

# ***S250SM***

## ***Parts Reference Guide***



Reversion 07-11-2008 S250SM V1 DK



# S250SM

## REPLACEMENT PARTS LIST • LISTA DE PARTES DE REPUESTO • ERSATSTEILE-LISTE • LISTE DE PIÈCES DE RECHANGE

POS	PART NO	DESCRIPTION	DESCRIPCION	BESCHREIBUNG	DESIGNATION
1	A0000-0221	SCREW M5*8	TORNILLO M5*8	SCHRAUBE M5*8	VIS M5*8
2	A0005-0691	WASHER 12*1	ARANDELA 12*1	SCHEIBE 12*1	RONDELLE 12*1
3	A0304-0661	EXHAUST COVER	CUBIERTA DE ESCAPE	AUSPUFFABDECKUNG	COUVERCLE D'ÉCHAPPEMENT
4	A0200-0631	O-RING 9*1.9	SELLO DE GOMAS 9*1.9	DICHTRING 9*1.9	JOINT 9*1.9
5	B0000-0301	SCREW SET 5*25	SET TORNILLO	SCHRAUBENSATZ	LIASSE DE VIS
6	A0301-1351	CAP, TOP	TAPA, ARRIBA	KAPPE, OBEN	BOUCHON, À L'ÉCHAPPEMENT
7	A0200-2821	O-RING 17.7*2.2	#N/B	#N/B	#N/B
8	A0311-0481	SEAL, AIR "TPU"	SELLO, AIRE "TPU"	DICHTUNG, LUFT "TPU"	JOINT, AIR "TPU"
9	A0100-1661	SPRING	RESORTE	FEDER	RESSORT
10	A0200-0531	O-RING 48*2.5	SELLO DE GOMAS 48*2.5	DICHTRING 48*2.5	JOINT 48*2.5
11	A0308-0601	FIRE VALVE	VALVULA	VENTIL	SOUPAPE
12	A0311-0611	FIRING VALVE SEAL "TPU"	SELLO VALVULA	VENTILDICHTUNG	JOINT SOUPAPE
13	A0205-0681	GASKET	ARANDELA	DICHTUNG	JOINT
14	B0600-2171	PISTON UNIT	UNIDA PISTON	PISTONEINHEIT	PIECE DE PISTON
15	A0800-0651	SPACER "POM"	SEPARADOR	DISTANZSTÜCK	ENTRETOISE
16	A0200-3571	O-RING 58*3.2	SELLO DE GOMAS 58*3.2	DICHTRING 58*3.2	JOINT 58*3.2
17	B0300-2471	CYLINDER SET	SET CILINDRO	ZYLINDERSATZ	LIASSE DE CYLINDRE
18	A0309-0471	BUMPER	AMORTIGUADOR	PUFFER	AMORTISSEUR
19	B0400-0921	BODY SET	SET CUERPO	KORPERSATZ	LIASSE DE CORPS
20	A0006-1161	PIN	PASADOR	STIFT	GOUPILLE
21	A0005-0311	PIN RETAINER 5.5*2	PASADOR TORICA	STIFTSICHERUNG	GOUPILLE RETENUE
22	B0500-1631	TRIGGER SET	SET GATILLO	AUSLÖSERSATZ	LIASSE GACHETTE
23	A0011-0241	SPRING PIN 3*26	PASADOR RESORTE 3*26	FEDER STIFT 3*26	RESSORT GOUPILLE3*26
24	A0310-0461	NOZZLE	TOBERA	DUESE	BUSE
25	B0500-0601	TRIGGER VALVE SET	SET GATILLO VALVULA	AUSLÖSERSATZVENTIL	LIASSE GACHETTE DE VALVE
26	A0712-1501	RELEASE CATCH GUIDE	GANCHO DE LIBERACION NARIZ	LOSEMECHANISMUSFÜHRUNG	GUIDE DE VERROU DE LIBERATION
27	A0100-2841	SPRING 9.8*27L	RESORTE 9.8*27L	FEDER 9.8*27L	RESSORT 9.8*27L
28	A0000-1901	SCREW M4*3.5	TORNILLO M4*3.5	SCHRAUBE M4*3.5	VIS M4*3.5
29	A0711-2641	RELEASE CATCH	GUÍA	FÜHRUNG	GUIDE
30	A0714-0661	ADJUSTMENT WHEEL	RUEDA DE ADJUSTE	EINREGELRAD	MOLETTE DE REGLAGE
31	A0006-1691	RELEASE CATCH PIN	PASADOR GUIA	FÜHRUNGSTIFT	GOUPILLE GUIDE
32	A0712-1511	RELEASE CATCH A GUIDE	GANCHO A DE LIBERACION	LOSEMECHANISMUSFÜHRUNG A	GUIDE DE VERROU DE LIBERATION
33	A0711-2631	RELEASE CATCH A	GANCHO DE LIBERACION A	LOSEMECHANISMUSZAHN A	VERROU DE LIBERATION A
34	A0204-1521	GRIP	BUJE	HANDGRIFF	GAINÉ
35	A0000-0091	SCREW M5*20	TORNILLO M5*20	SCHRAUBE M5*20	VIS M5*20
36	A0005-0681	FLAT WASHER	ARANDELA	SCHEIBE	RONDELLE
37	A0004-0021	NYLON NUT M5	NYLON TUERCA M5	NYLON MUTTER M5	ECROU NYLON M5
38	A0205-0611	GASKET	ARANDELA	DICHTUNG	JOINT
39	A0316-0321	HOOK	GANCHO	HAKEN	CROCHET
40	A0306-1241	TAIL COVER	CUBIERTA DE COLA	RÜCKSEITEABDECKUNG	COUVERCLE DE QUEUE
41	A0005-0031	WASHER #5*1.2t	ARANDELA #5*1.2t	SCHEIBE #5*1.2t	RONDELLE #5*1.2t
42	A0000-0091	SCREW M5*20	TORNILLO M5*20	SCHRAUBE M5*20	VIS M5*20
43	A0712-1531	SAFETY COVER	CUBIERTA	ABDECKUNG	COUVERCLE
44	A0701-2111	MAGAZINE	CARGADOR	MAGZIN	MAGASIN
45	A0005-0121	E-RING 3	E-RING 3	E-RING 3	E-RING 3
46	A0006-1491	STEP PIN	PASADOR	STIFT	GOUPILLE
47	A0701-2131	NAIL RAIL	CARRIL DE CLAVOS	NAGELSCHIENE	RAIL DE CLOU
48	A0718-0711	TAIL COVER	CUBIERTA DE COLA	RÜCKSEITEABDECKUNG	COUVERCLE DE QUEUE
49	A0004-0011	NYLON NUT M4	NYLON TUERCA M4	NYLON MUTTER M4	ECROU NYLON M4
50	A0000-0571	SCREW 4*12	TORNILLO 4*12	SCHRAUBE 4*12	VIS 4*12
51	A0011-0131	SPRING PIN 3*10	PASADOR RESORTE 3*10	FEDER STIFT 3*10	RESSORT GOUPILLE 3*10
52	B0700-6131	PUSHER SET	SET ALIMENTADOR	VORSCHIEBER SATZ	LIASSE DE POUSSOIR
53	A0102-0161	SPRING	RESORTE	FEDER	RESSORT
54	A0703-0251	WHEEL GUIDE	GUIA	FÜHRUNG	GUIDE
55	A0713-0841	OUTLET SITE	ZONA DE ESCAPE	ABFUHRSTELLE	SITE DE ÉCHAPPEMENT
56	A0100-0681	SPRING	RESORTE	FEDER	RESSORT
57	B0700-5231	OUTLET SITE COVER SET	SET CUBIERTA	ABDECKUNGSSATZ	SET COUVERCLE